

10.12.2013

Drives Newsletter 07/2013

Change of DC choke for SJ700 large capacity inverter

Dear Ladies and Gentlemen,

Dear Business Friends,

Thank you for your daily cooperation for Hitachi inverter business.
Please be informed of the change of DC choke for SJ700 large capacity inverters (above 185kW).

1. Applied models:

DC choke (GDS series) for SJ700 large capacity inverters

2. Description:

Difference between the current and new DC choke

3. Details:

①. Difference in model name

The table below shows the difference in model name between the current and new DC choke;

Applied inverter	Current DC choke	New DC choke
SJ700-1850HFE2	GDS 7.5	GDS4.5-515-0.115
SJ700-2200HFE2	GDS10.0	GDS6.3-613-0.13
SJ700-3150HFE2	GDS13	GDS7.5-838-0.095
SJ700-4000HFE2	GDS15	GDS12.5-1042-0.08

<Explanation of new model code>

GDS6.3-613-0.13

A B C A:Installation dimension, B: Rated current, C: Inductance



SALES



AFTER

e-Mail: Shingo.Ejima@hitachi-eu.com

Hitachi Europe GmbH
Am Seestern 18
D-40547 Düsseldorf
Tel.: 02 11 / 52 83 -664
Fax.: 02 11 / 52 83 - 649

10.12.2013

②. Difference in specification

The new chokes are compatible with the current ones in electrical characteristic, while it is smaller in dimension. Please find the details about the specification difference in the comparison tables below.

<DC choke for SJ700-1850HFE2>

Items		GDS7.5	GDS4.5-515-0.115 (new)
Rated current [A]		515	515
Inductance [mH]		0.155	0.155
Ambient temperature [degC]		50	40
Dimension	axbxc	280x350x390	240x265x330
	dxex(fxg)	240x166x(11x15)	200x140x(11x15)

<DC choke for SJ700-2200HFE2>

Items		GDS10	GDS6.3-613-0.13 (new)
Rated current [A]		613	613
Inductance [mH]		0.13	0.13
Ambient temperature [degC]		50	40
Dimension	axbxc	280x320x380	280x260x380
	dxex(fxg)	240x181x(11x15)	240x151x(11x15)

<DC choke for SJ700-3150HFE2>

Items		GDS13	GDS7.5-838-0.095 (new)
Rated current [A]		838	838
Inductance [mH]		0.095	0.095
Ambient temperature [degC]		50	40
Dimension	axbxc	320x350x470	280x270x380
	dxex(fxg)	270x185x(11x15)	240x166x(11x15)

<DC choke for SJ700-4000HFE2>

Items		GDS15	GDS12.5-1042-0.08 (new)
Rated current [A]		1042	1042
Inductance [mH]		0.08	0.08
Ambient temperature [degC]		50	40
Dimension	axbxc	320x380x470	280x320x380
	dxex(fxg)	270x210x(13x18)	240x211x(11x15)

x

SALES

x

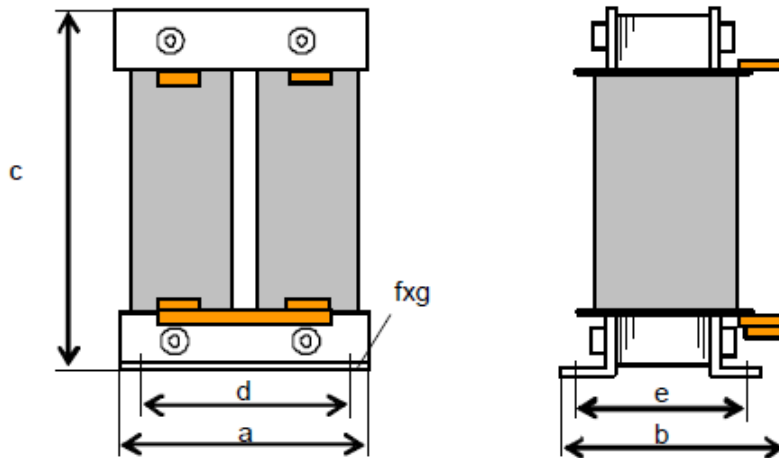
AFTER

e-Mail: Shingo.Ejima@hitachi-eu.com

Hitachi Europe GmbH
 Am Seestern 18
 D-40547 Düsseldorf
 Tel.: 02 11 / 52 83 - 664
 Fax.: 02 11 / 52 83 - 649

10.12.2013

<Diagram>



4. Schedule - Start of change:

After the current stock of the old DC chokes runs out

5. Remark:

After consuming the stock of the old DC chokes, the new ones will be available as standard stock.
For requirement of ambient temperature 50degC, the old DC chokes will be still available, however please note the delivery is expected to take longer since it will be ordered by demand.

Hitachi Europe GmbH

Shingo Ejima
Product Engineer

<input checked="" type="checkbox"/> SALES	<input checked="" type="checkbox"/> AFTER
-------------------------------------------	-------------------------------------------

e-Mail: Shingo.Ejima@hitachi-eu.com

Hitachi Europe GmbH
Am Seestern 18
D-40547 Düsseldorf
Tel.: 02 11 / 52 83 -664
Fax.: 02 11 / 52 83 - 649