



HITACHI

Inverter News No. 377

***Technical Specification and
Dimensions of SJ300 / L300P
CE-EMC Filters***

Technical Specifications and Dimensions of SJ 300 / L 300 P of CE-EMC Filter

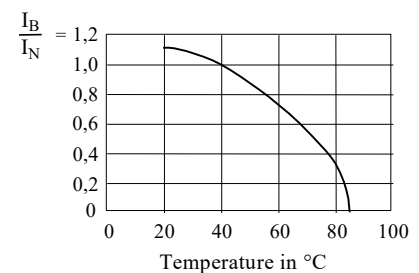
Typ	FPFB-266-G-3-013	FPFB-266-G-3-032	FPFB-266-G-3-064	BTFB-266-G-3-080	BTFB-266-G-3-115	BTFB-266-G-3-125	BTFB-266-G-3-150	BTFB-266-G-3-220	BTFB-266-G-3-260
Voltage in V	480 +10%	480 +10%	480 +10%	480 +10%	480 +10%	480 +10%	480 +10%	480 +10%	480 +10%
Current in A at 40°C	3 x 13A	3 x 32A	3 x 64A	3 x 80A	3 x 115A	3 x 125A	3 x 150A	3 x 220A	3 x 260A
Leakage current in mA/phase/50Hz worst case 1)	180	280	550	690	750	750	380	380	600
Leakage current in mA/phase/50Hz U_n 2)	< 30	< 30	< 30	< 30	< 30	< 30	< 30	< 30	< 30
Test voltage in V DC, for 2s ph./ph, ph./ground	2064 / 2064	2064 / 2064	2064 / 2064	2064 / 2064	2064 / 2064	2064 / 2064	2064 / 2064	2064 / 2064	2064 / 2064
Dimensions Single wire / litze	4 / 4 mm ²	10 / 6 mm ²	25 / 16 mm ²	35 / 25 mm ²	50 / 50 mm ²	50 / 50 mm ²	95 / 95 mm ²	95 / 95 mm ²	150 / 150 mm ²
Output cable	3x2,5mm ²	3x6mm ²	3x16mm ²	3x16mm ²	3x35mm ²	3x35mm ²	3x50mm ²	3x70mm ²	3x95mm ²
Weight in kg (approx.)	1,4	2,5	4,5	4,3	6,4	6,7	8,8	9,3	13,7
Heat dissipation in W (approx.)	12	14	36	32	38	45	45	35	45

1). "Worst case" states the leakage current of three-phase filters at worst case. That means one phase is live and two phases of the feed-line lead-in are interrupted. These maximum values are based on an operating voltage of 480 V (ph./ph.).

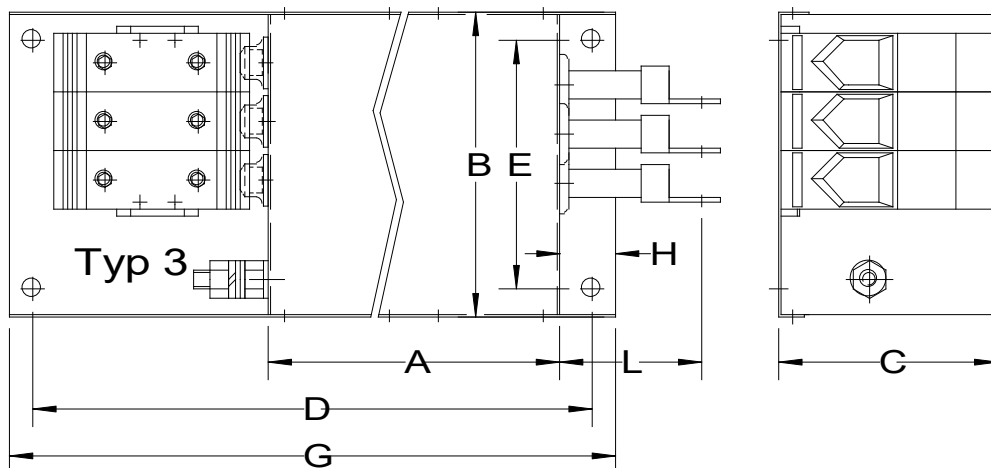
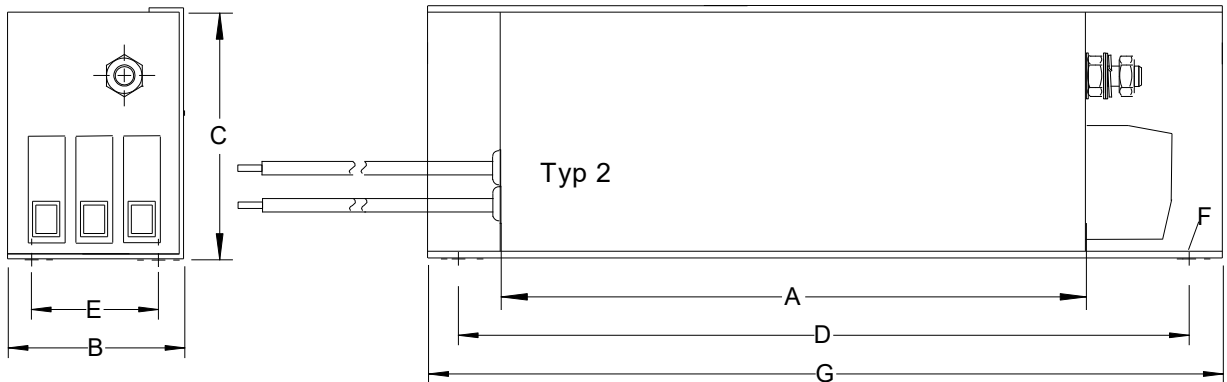
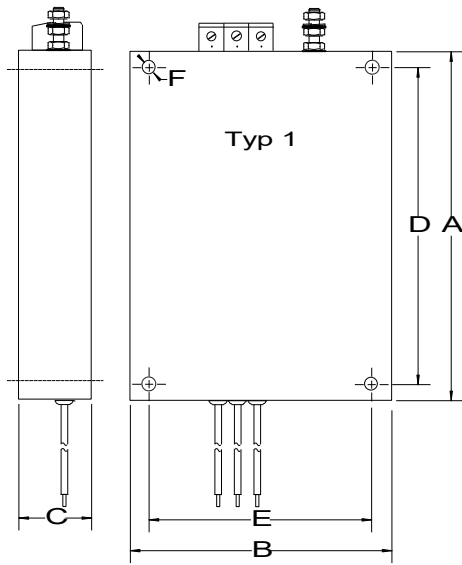
2) The rated leakage current for three-phase filters is stated. This means the filter is operating at 480 V (ph./ph.). The stated values are adhered to up to a neutral voltage of 5V to ground caused by line unbalance.

Current	at 40°C ambient temperature
Overload	1.5 x I_N for 10min
Frequency	50 / 60 Hz
Material	Steel, surface refined
Humidity class	C
Operation height	< 1000 m without derating; > 1000 m, I_N -2%, for each 1000m
Temperature range	-25°C through +85°C
Enclosure	Input terminals IP 20 and PE-holder. Load side: cable, unshielded.

Dependence of current on ambient temperature:



Dimensions (in mm)										
Modell:	Typ	A	B	C	D	E	F	G	H	L
FPFB-266-G-3-013	1	255	143	29	241	130	4x6			
FPFB-266-G-3-032	1	260	203	43	246	189	4x7			
FPFB-266-G-3-064	1	390	244	45	376	229	4x7			
<i>BTFB-266-G-3-080</i>	2	310	60	87	380	40	4x8,5	400		
<i>BTFB-266-G-3-115</i>	2	340	70	110	420	50	4x8,5	440		
<i>BTFB-266-G-3-125</i>	2	340	70	110	420	50	4x8,5	440		
<i>BTFB-266-G-3-150</i>	3	390	130	94	505	105	4x9	525	23	480
<i>BTFB-266-G-3-220</i>	3	390	130	94	505	105	4x9	525	23	500
<i>BTFB-266-G-3-260</i>	3	460	142	116	600	120	4x9	620	29	600



Filter model and inverter type:

Filter Type	Inverter Type	
FPFB-266-G-3-013	SJ300 015HF	
	SJ300 022HF	
	SJ300 037HF	
	SJ300 055HF	
FPFB-266-G-3-032	SJ300 075HF	
	SJ300 110HF	L300P 110HF
		L300P 150HF
FPFB-266-G-3-064	SJ300 150HF	
	SJ300 185HF	L300P 185HF
	SJ300 220HF	L300P 220HF
		L300P 300HF
<i>BTFB-266-G-3-080</i>	SJ300 300HF	
		L300P 370HF
<i>BTFB-266-G-3-115</i>	SJ300 370HF	
	SJ300 450HF	L300P 450HF
		L300P 550HF
<i>BTFB-266-G-3-125</i>	SJ300 550HF	
<i>BTFB-266-G-3-150</i>		L300P 750HF
<i>BTFB-266-G-3-220</i>	SJ300 750HF	L300P 900HF
	SJ300 900HF	L300P 1100HF
<i>BTFB-266-G-3-260</i>	SJ300 1100HF	
	SJ300 1320HF	L300P 1320HF